



Eco-Tuf Colours

Please note the range may be altered, based on popularity and availability. For updates, please refer to our website.

www.embelton.com



Blackbutt



Brushbox



Jarrah



Tasmanian Oak



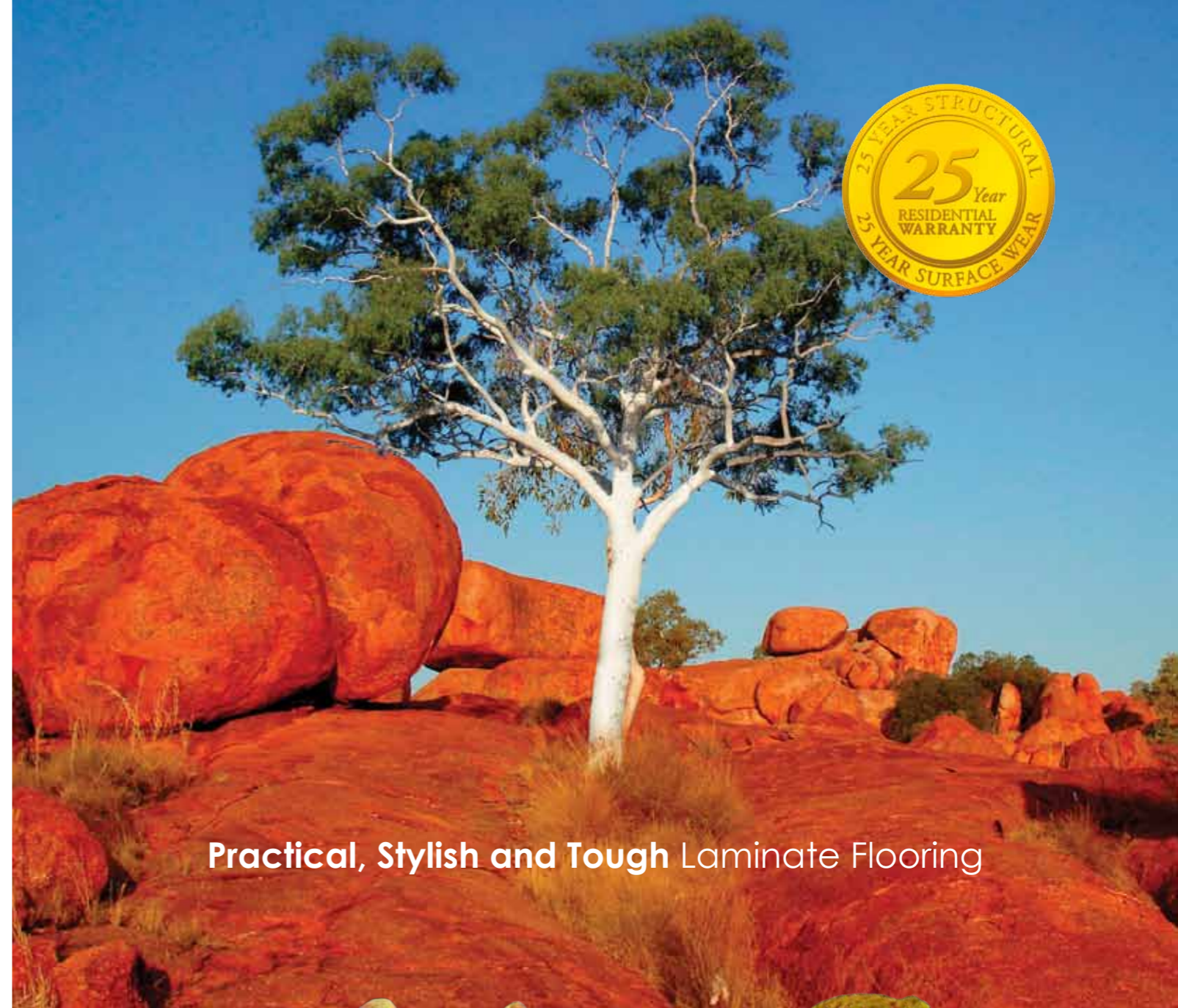
Messmate



Spotted Gum

Care & Maintenance

Caring for your laminate floor is easy. Vacuum or sweep the floor to remove dirt and debris, and use a slightly damp (but not wet) mop for regular cleaning. For preventative care, entrance mats and rugs in high wear areas should be considered, together with felt protectors for furniture and appliance legs.



Practical, Stylish and Tough Laminate Flooring



PRACTICAL • STYLISH • DURABLE

Eco-Tuf Laminate Flooring – high quality timber looking laminate from the name you can trust.



What is Eco-Tuf Laminate Flooring?

Constructed of High Density Fibreboard (HDF) and featuring a photographic layer of quality timbers beneath a clear protective layer of laminate, Eco-Tuf creates the appearance of a genuine timber floor – but without any of the hassles, and at a fraction of the price.

Suitable for all types of installation

Eco-Tuf is easy to clean and maintain, and provides a consistent looking finish. It is suitable for all types of applications, including homes, shops, rental properties and large-scale commercial projects.

The sustainable choice

Manufacturing places few demands on our environment – few natural resources are used, making Eco-Tuf Laminate Flooring a sustainable alternative to timber.

Cleaner than carpet

Unlike carpet, Eco-Tuf Laminate Flooring won't attract dust mites or bugs. They are easy to clean, making for the perfect hygienic floor – especially important if you have children and pets.

Natural Australian Timbers

Available in 6 of the most popular Australian timber colours, and with a durable matt finish, it readily matches the most stylish interiors.

Easy to install

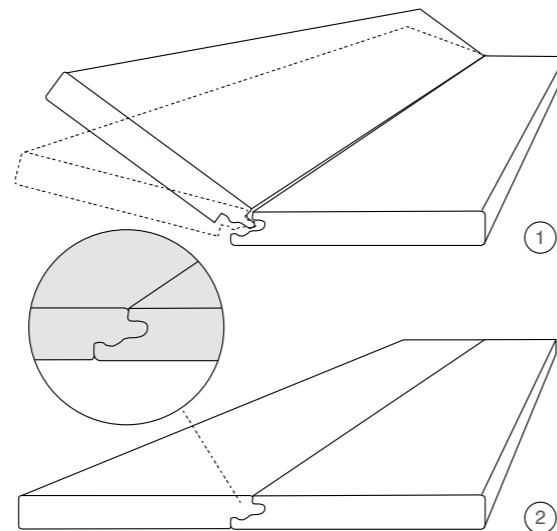
The patented Unilin click system makes installation straightforward and uncomplicated – even suitable for DIY. No glue is required, just click and go – the floor can be used as soon as it is laid. And if a board gets damaged, it can be easily replaced.

Manufacturing warranted to the highest quality standards

Eco-Tuf meets the highest European standards for laminate flooring, and is backed by a comprehensive 25 year domestic and 10 year commercial warranty.

Robust

Tougher than traditional timber floors, Eco-Tuf Laminate Flooring comes with a 25 year structural guarantee. Resistant to stains, moisture, scratches, indentation and cigarette burns, Eco-Tuf Laminate Flooring is ideal for family flooring or commercial installations.



Technical Specifications:

- Board dimensions: 1213 x 126 x 8.3mm
- 12 boards per pack to cover 1.834m²
- Sold with licenced Unilin click system
- HDF core 890-920kg/m³

Warranty Information

The benefits to the consumer under the warranty are in addition to other rights and remedies of the consumer under a law in relation to the goods or services to which the warranty relates.

Our goods come with guarantees that cannot be excluded under the Australian Consumer Law. You are entitled to a replacement or refund for a major failure and for compensation for any other reasonably foreseeable loss or damage. You are also entitled to have the goods repaired or replaced if the goods fail to be of acceptable quality and the failure does not amount to major failure.

All expenses related to warranty claims are the responsibility of the consumer making the warranty claim. To download full warranties, please visit www.embelton.com.

Warranty Provider

GP Embelton & Co Pty Ltd
147-149 Bakers Road (PO Box 207),
Coburg VIC 3058 Australia
T: +61 3 9353 4811 | E: gpevic@embelton.com

